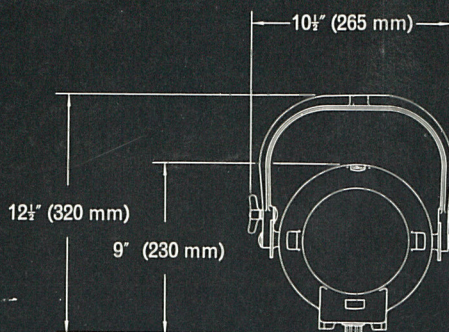


SCALE 1:10



WEIGHT

Patt 123 5 1/2 lb (2.6 kilos)

LAMPS & PERFORMANCE DATA

THROW DISTANCE **BEAM SPREAD**

ILLUMINATION

	THROW DISTANCE		BEAM SPREAD		ILLUMINATION							
	feet	metres	feet	metres	500W 120V 500T20/48 or Philips 559C		500W 240V Class T/1 or Philips 559C		250W 120V 250T20/47 or Philips 558C		250W 240V Class T/3 or Philips 558C	
					f.c.	lux	f.c.	lux	f.c.	lux	f.c.	lux
Pattern 123 SPOT FOCUS												
BEAM ANGLE 10° <small>In which intensity varies 2:1</small>	20	7	3	1	141	1150	105	855	59	485	47	385
FIELD ANGLE 16° <small>In which intensity varies 10:1</small>	25		4		90		67		38		30	
Pattern 123 FLOOD FOCUS												
BEAM ANGLE 33° <small>In which intensity varies 2:1</small>	15	5	9	3	46	410	35	310	20	175	14	125
FIELD ANGLE 43° <small>In which intensity varies 10:1</small>	20		12		25		20		11		8	
Pattern 123W SPOT FOCUS												
BEAM ANGLE 16° <small>In which intensity varies 2:1</small>	15	5	4	1.5	77	695	75	675	26	240	26	240
FIELD ANGLE 26° <small>In which intensity varies 10:1</small>	20		6		44		42		15		15	
Pattern 123W FLOOD FOCUS												
BEAM ANGLE 42° <small>In which intensity varies 2:1</small>	10	4	8	3	62	385	54	340	25	155	19	115
FIELD ANGLE 51° <small>In which intensity varies 10:1</small>	15		12		27		24		11		8	

SPECIFICATION

The spotlight to be constructed of aluminium alloy pressure diecastings with a spun aluminium inner lining and shall contain a prefocus lampholder and a spherical reflector both adjustable relative to a Fresnel lens.

The medium prefocus (P.28) porcelain lampholder for a 250 or 500-watt projection lamp shall be mounted on a die-cast tray together with a 4 1/2-in. (115mm) diameter spherical reflector of polished anodised aluminium. A strain relief gland shall secure 30-in. (0.75m) external length of 3-conductor heat-resisting sheathed cable with earth/ground conductor.

The lamp tray shall be adjustable through 1 1/4-in. (30mm) by means of a slide focus with a heat-resisting locking knob at the bottom or by means of a lead-screw drive with a heat-resisting knob at the front (add suffix -/LS).

The standard *Patt 123* or wide-angle *Patt 123W* 6-in. (150mm) diameter short focus Fresnel lens shall be recessed within its mount and this front, together with the lamp tray assembly, shall hinge downwards to provide access but shall normally be secured by a recessed self-locking catch at the top.

(For coloured lens add suffix -/C.) Double die-cast colour frame runners shall be provided and one 6 1/2 x 6 1/2-in. (165 x 165mm) metal colour frame supplied.

The spotlight shall be mounted in a reversible malleable diecast fork with friction disc tilt clamp and 3/8-in. bolt and wing nut for suspension.

The exterior and fork shall be smooth finished with epoxy resin hard hammer grey and the interior, including lens recess, flat black.

VARIATIONS Available at the time of manufacture.

6ft (1.8m) heat-resisting flexible cable.

Tilt and swivel scale indication.

ACCESSORIES

Ref. 132. Four-door rotatable barndoor attachment for *Patt 123* only.

Ref. 131. Superior barndoor attachment for *Patt 123W* or 123.

Ref. 592. 1 1/2-in. diameter hollow TV spigot.