



STRAND 833

500 W FRESNEL SPOT

20 320 04

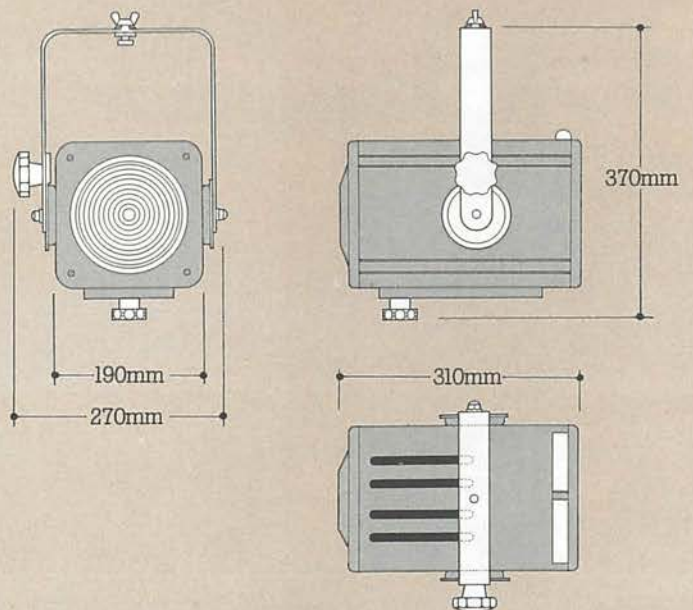


Inexpensive, variable-spread spotlight utilising the low cost, widely available 500W Class T/1 lamp, or its equivalent. The lens diameter is a full 150mm (6-in) collecting nearly 30% more light than the 115mm (4½-in) lens size of the Patt. 45 which this replaces. The soft edged circular beam is variable from a small, high intensity spot to a medium angle flood by a fast, slide focus knob moving in a fully baffled slot.

The Model 833 incorporates many of the features of the professional theatre Model 803 including four, full length baffled ventilation slots and internal runners, with safety catch, for the Cinemoid/Chromoid colour frame. A full range of accessories is available including a rotatable, four-door barn-door attachment to contain and shape the edges of the soft-edge beam.

Dimensions

Scale 1:10



Order Codes

Model 833 Fresnel Spot, 15°/48°
500W 240v Class T/1 non-halogen
lamp 9,500 lm, 200 hr. av. obj. life

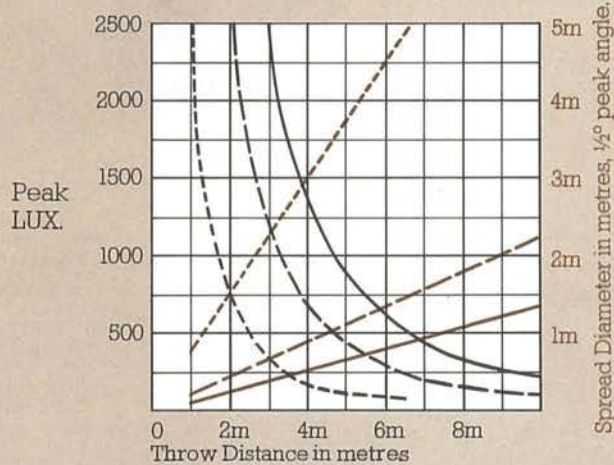
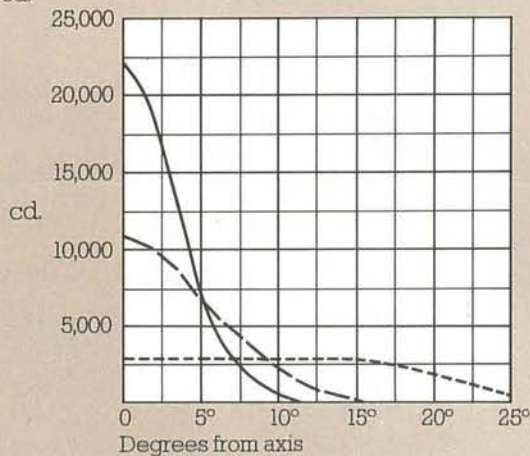
20 320 04
34 111 1T

Weight 5.7kg
Carton size 450 x 435 x 435mm
Packed weight 6.8kg

Performance

Typical performance, based upon
500W 240v Class T/1 calibrated lamp,
C.13 filament, 9,500 lm. 200 hour.

- 1/2 peak angle 8° spot variable to 42° flood
- 1/10 peak angle 15° spot variable to 48° flood
- 22,000 peak candela (cd) at spot variable to
3,000 candela (cd) at flood.



- Spot
- Intermediate
- Flood

The Company reserves the right to make any variation in design or construction to the equipment described.

Specification**Lamphouse**

Pressed steel housing incorporating full length baffled ventilation slots. Internal access provided by temporary removal of the top cover.

Fork

Mild steel, reversible, with a 90mm dia. friction disc and handgrip knob for positive tilt clamp. Fork threaded and supplied with 3/8-in. Whit bolt, washers, and wingnut for compact suspension and swivel clamp.

Lampholder

P.28s medium prefocus porcelain body, fitted with 1m external length of 3-conductor insulated and sheathed flexible cable secured by a strain-relief gland and glass fibre sleeved within the lamphouse.

Lens

150mm dia. short-focus Fresnel lens of borosilicate glass recessed mounted with spring clips from within the lamphouse.

Adjustment

Fully baffled, bottom slide focus of lampholder relative to lens; moved and locked by a heat-resisting handgrip knob.

Colour Frame

Double internal runners with swing safety catch; one 165mm square colour frame supplied for 'Cinemoid' sheet or thin-film 'Chromoid'. Flat front of housing also has thread-inserts for add-on colour change accessory.

Finish

High temperature stoved texture black.

Lamps

500W max. P.28s (medium prefocus) base. 55.5mm light centre length. Class T/1 recommended.

Accessories

165mm ² lens guard, 25mm mesh	27 885 02
Rear grab handle kit	27 857 79
Clip-on rotatable Barndoor	23 894 09
Net weight 0.8kg	
Additional Colour Frame	27 792 17
Net weight 0.2kg	
Colour Change Wheel, 24v	23 890 07
Net weight 2.15kg	



Rank Strand Electric
A Division of Rank Audio Visual Limited
P.O. Box 51, Great West Road
Brentford, Middlesex TW8 9HR
Telephone: 01-568 9222 Telex: 27976