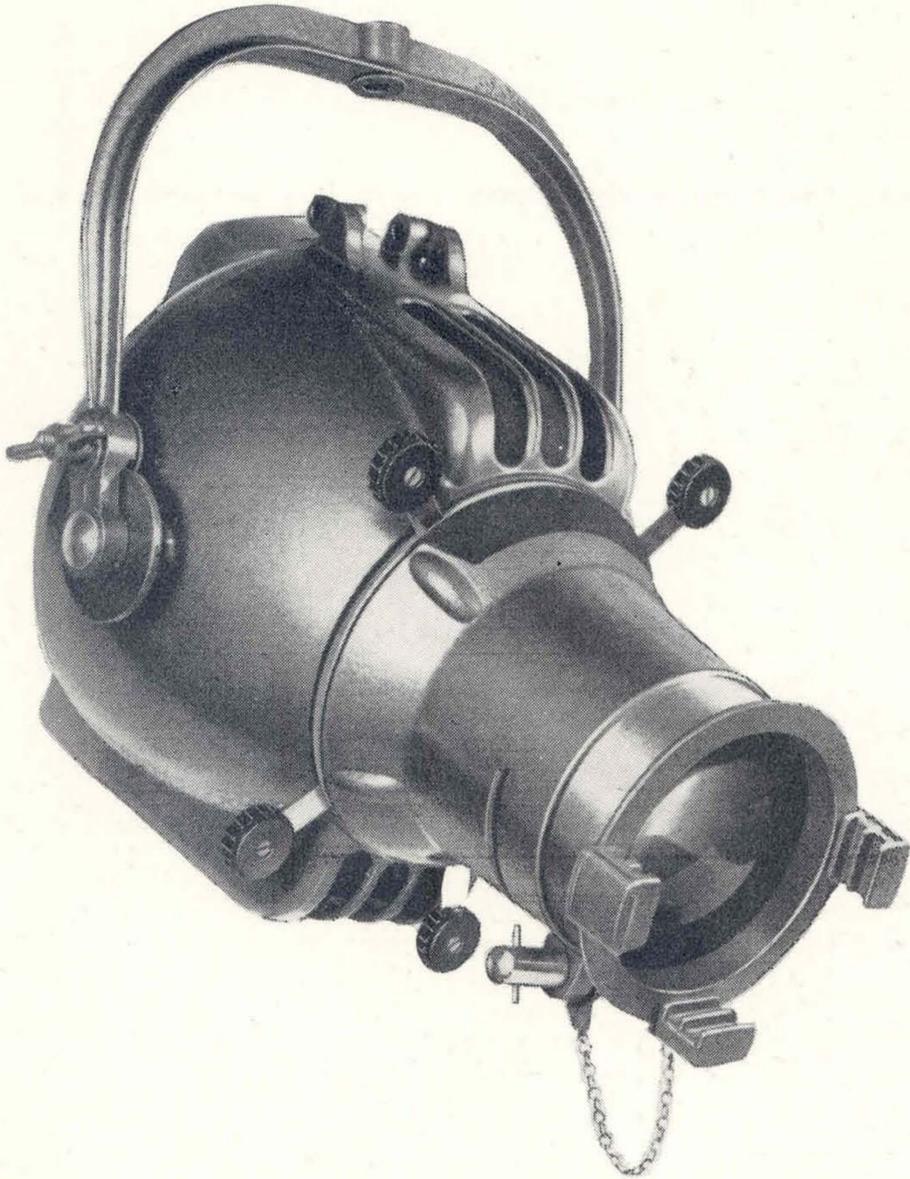




PROFILE SPOTS

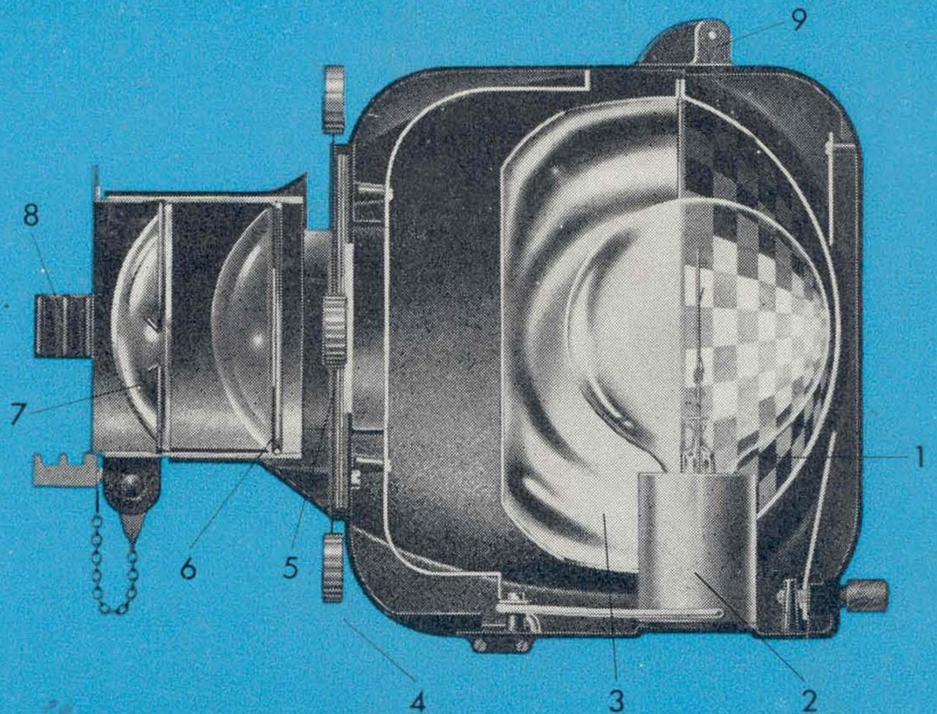


Patt 23 II, 23F II, 23W II, 250/500 Watt

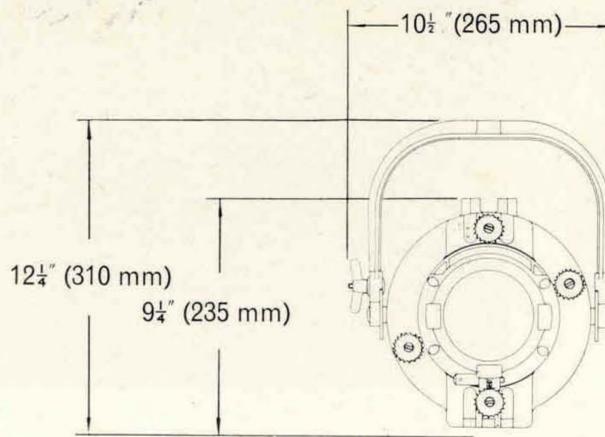
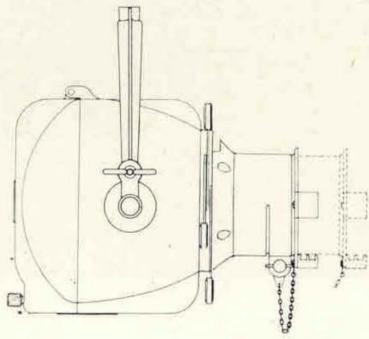
These new Mark II versions of the original pressure die-cast spotlights all have four built-in beam shaping shutters so that the characteristics of the Profile optical system can be used to the full. Each of the four externally operated shutters can be angled through more than 90° around the optical axis so that the evenly distributed beam can be accurately contained within any four or three-sided area even when projected from an acute angle. Gate runners are provided for other beam shaping accessories such as an iris diaphragm for circular beams or purpose-made masks for pattern projection.

Different lens combinations, providing different maximum beam spreads, are available so that the most efficient use can be made of the light collected at the gate by the rear ellipsoidal reflector supplemented by a front annular reflector. The rear reflector is faceted to ensure an evenly distributed beam completely free of filament striation.

1. 7-in. diameter faceted ellipsoidal reflector.
2. Medium prefocus lampholder.
3. 7-in. diameter annular reflector.
4. Four externally operated beam shaping shutters.
5. Gate runners for addition of an iris or other mask.
6. Fixed aperture diaphragm to intercept stray light; also second $3\frac{1}{2} \times 5$ -in. lens for Patt 23W II only.
7. $3\frac{1}{2} \times 5$ -in. lens for Patt 23 II, or $3\frac{1}{2} \times 4$ -in. Fresnel lens for Patt 23F II, in sliding lens tube.
8. Double colour frame runners.
9. Hinged rear door for interior access.



←14" (355 mm) max.→



SCALE 1:10

WEIGHT

Patt 23II 7 lb. (3.2kilos)

LAMPS & PERFORMANCE DATA

	THROW DISTANCE		BEAM SPREAD		ILLUMINATION							
					500W 120V 500T20/48 or Philips 559C		500W 240V Class T/1 or Philips 559C		250W 120V 250T20/47 or Philips 558C		250W 240V Class T/3 or Philips 558C	
	feet	metres	feet	metres	f.c.	lux	f.c.	lux	f.c.	lux	f.c.	lux
Pattern 23 II BEAM ANGLE 20° max. in which intensity varies no more than 2:1	20	7	7	2.5	63	695	43	475	29	325	23	250
	25	9	8	3	40	435	27	295	19	200	14	155
	30		10		28	300	19	205	13	140	10	105
Pattern 23F II BEAM ANGLE 30° max. in which intensity varies no more than 2:1 FIELD ANGLE 32° max. in which intensity varies no more than 10:1	20	7	10	3.5	45	500	28	310	20	220	16	175
	25	9	13	4.5	29	310	18	190	13	140	10	110
Pattern 23W II BEAM ANGLE 36° max. in which intensity varies no more than 2:1	15	5	10	3	44	475	39	420	26	280	22	235
	20	7	13	4.5	25	275	22	245	15	165	12	135

SPECIFICATION

The spotlight shall be constructed of aluminium alloy pressure die-castings with baffled ventilation slots and shall contain a prefocus lampholder, a faceted ellipsoidal reflector, an annular reflector, four externally operated beam-shaping shutters, gate runners and an adjustable lens.

The medium prefocus (P.28) porcelain lampholder, for a 250 or 500 watt projection lamp, shall be fitted with a 30-in. (0.75m.) external length of 3-conductor heat-resisting sheathed cable including an earth/ground conductor. The cable shall be secured by a strain-relief gland. The 7-in. (180 mm.) diameter faceted ellipsoidal reflector and annular spherical reflector shall both be of polished anodised aluminium. The rear of the housing, together with the rear reflector, shall hinge upwards to provide interior access but shall normally be secured by a captive thumbscrew.

The four beam-shaping shutters shall be of stainless steel and provided with external heat-resisting knobs. Each shutter shall be capable of 90° rotation around the optical axis. Gate runners shall be provided for the optional addition of an iris diaphragm.

The lens shall be recessed within a die-cast tube which shall be fitted with a fixed aperture diaphragm. The sliding lens tube shall be locked by a tommy-bar thumbscrew and shall be provided with a safety chain. Double die-cast colour frame runners shall be provided and one 4×4-in (100×100mm) metal colour frame supplied.

The lens fitted shall be as follows:—

Patt 23 II—One 3½×5-in. (90×125mm) plano convex.

Patt 23F II—One 3½×4-in. (90×100mm) Fresnel.

Patt 23W II—Two 3½×5-in. (90×125mm) plano convex.

The spotlight shall be mounted in a reversible malleable die-cast fork with friction disc tilt clamp and 3/8-in. bolt and wingnut for suspension.

The exterior and fork shall be smooth finished with epoxy resin hard hammer grey and the interior, excepting reflectors and gate shutters, flat black.

VARIATIONS available at the time of manufacture.
Heat-resisting rear handle (add suffix —/H)

ACCESSORIES

Ref. 363 12-leaf iris diaphragm.

Ref. 362 Set of 4 fixed-aperture masks.

Ref. 374 Diffuser glass in frame for Patt 23 II, 23W II.

Ref. 592 1½-in. diameter hollow TV spigot.