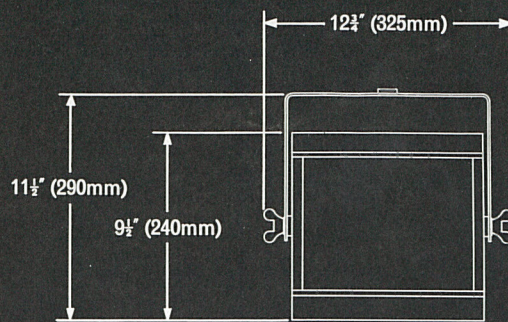


SCALE 1:10



WEIGHT
Patt 137 8lb. (3.6 kilos)

**LAMPS &
PERFORMANCE DATA**

	THROW DISTANCE		BEAM SPREAD		ILLUMINATION							
					200W 120V 200A/1CL		200W 240V G.L.S. clear Single coil, E.S.		150W 120V 150PS25 clear		150W 240V G.L.S. clear Single coil, E.S.	
	feet	metres	feet	metres	f.c.	lux	f.c.	lux	f.c.	lux	f.c.	lux
Pattern 137 BEAM ANGLE 90° in which Intensity varies 2:1 FIELD ANGLE 105° in which intensity varies 10:1	6		12		21		16.5		17		11.5	
		2		4		160		145		155		105
	8		16		12		9		9.5		6.5	
		3		6		85		65		70		45
	4		8		5		4		4.5		3	
		4		8		50		35		40		25

SPECIFICATION

The floodlight shall be constructed of steel pressings and shall contain an E.S. lampholder, a reflector and colour frame runners.

The porcelain E.S. (E.27) lampholder, for either 150 or 200 watt single coil general lighting service lamp with a clear bulb, shall be within the housing and shall be fitted with 30-in (0.75m) external length of high temperature flexible cable including earth/ground conductor.

The 8 1/2-in (215mm) diameter reflector shall be of etched anodised aluminium and shall be mounted on a spring steel spider fixed to the lampholder.

The colour frame runners shall be within the housing and

shall be provided with a sprung closed hinged lid. The arrangement shall provide for adequate ventilation with or without a colour filter. One metal colour frame 8x9 1/4-in (210x235mm) shall be supplied.

The floodlight shall be provided with a mild steel reversible fork with thumbscrew tilt clamps and a 3/8-in bolt and wing nut for suspension.

The exterior and fork shall be smooth finished hard hammer grey and the interior flat grey.

ACCESSORIES

Ref. 245. Masking Hood.