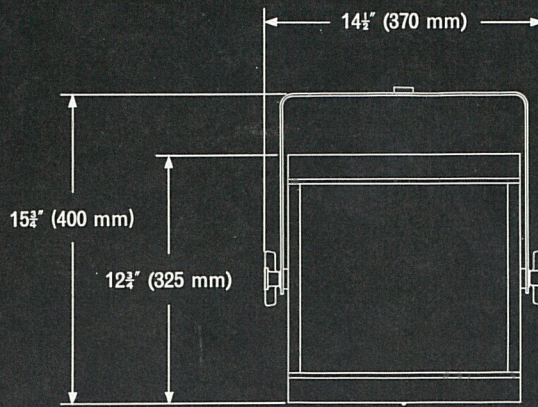


SCALE 1:10



WEIGHT
Patt 60 12 lb. (5.4 kilos)

**LAMPS &
PERFORMANCE DATA**

| | THROW DISTANCE | | BEAM SPREAD | | ILLUMINATION | | | |
|--|----------------|--------|-------------|--------|-----------------------------|-----|-----------------------------|-----|
| | feet | metres | feet | metres | 500W 120V 500PS-40 Clear | | 300W 120V 300PS-35 Clear | |
| | | | | | f.c. | lux | f.c. | lux |
| Pattern 60 (120 volt) | 10 | | 17 | | 31 | | 18 | |
| BEAM ANGLE 80° <small>In which intensity varies 2:1</small> | 15 | 4 | 25 | 7 | 14 | 195 | 8 | 110 |
| FIELD ANGLE 95° <small>In which intensity varies 10:1</small> | 20 | 5 | 34 | 8.5 | 8 | 125 | 4.5 | 70 |
| | | | | | 500W 240V G.L.S. Clear | | 300W 240V G.L.S. Clear | |
| Pattern 60 (240 volt) | 10 | | 10 | | 30 | | 18 | |
| BEAM ANGLE 55° <small>In which intensity varies 2:1</small> | 15 | 4 | 15 | 4 | 13 | 185 | 8 | 115 |
| FIELD ANGLE 90° <small>In which intensity varies 10:1</small> | 20 | 5 | 20 | 5 | 7.5 | 120 | 4.5 | 75 |

SPECIFICATION

The floodlight shall be constructed of steel pressings with baffled ventilation slots at the rear and shall contain a G.E.S. lampholder, a reflector and colour frame runners. The porcelain G.E.S. (E.40) lampholder, for a 300 or 500-watt general lighting service lamp with a clear bulb, shall be wholly within the housing and shall be fitted with 30-in (0.75m) external length of high temperature flexible cable including earth/ground conductor. The 10½-in (265mm) diameter aluminium reflector shall be

hammered, etched and anodised. The double colour frame runners shall be within the housing and shall be provided with a sprung-closed hinged lid. The arrangement shall provide light-tight ventilation slots. One metal colour frame 11¾×11¾-in (300×300mm) shall be supplied. The floodlight shall be provided with a reversible mild steel fork with thumbscrew tilt clamps and a 3/8-in bolt and wing nut for suspension. The exterior and fork shall be smooth finished hard hammer grey and the interior flat dark grey.